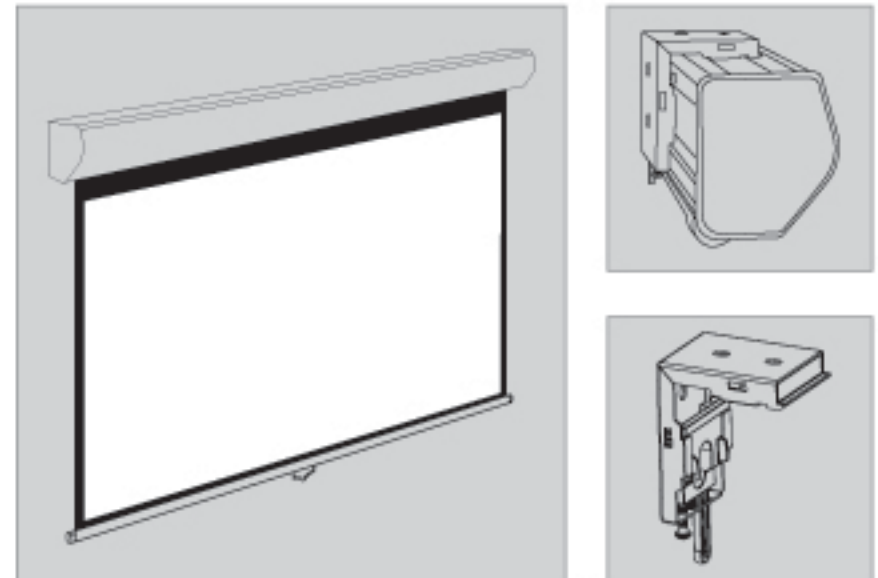


- Designed to reflect high quality images
- Designed for simple installation and use



www.cyberscreens.co.uk - info@cyberscreens.co.uk



Installation Guide for **Cyber Series Manual Pull-Down Screen**

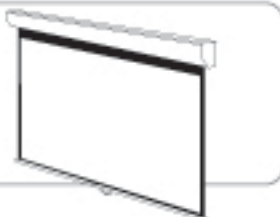
- Easy to operate and reflects vivid and colourful images
- Designed for home theatres
- Specially suited for DLP / LCD projectors

Thank you for purchasing a Grandview projection screen.

Before use, please read instructions carefully. After installation, store instructions for future reference.

Thank you for choosing Grandview

Grandview screens will reflect the most realistic images and can be used with a wide range of applications. The design is practical yet up to date, a simple choice for any professional or home theatre enthusiast.



Product Safety

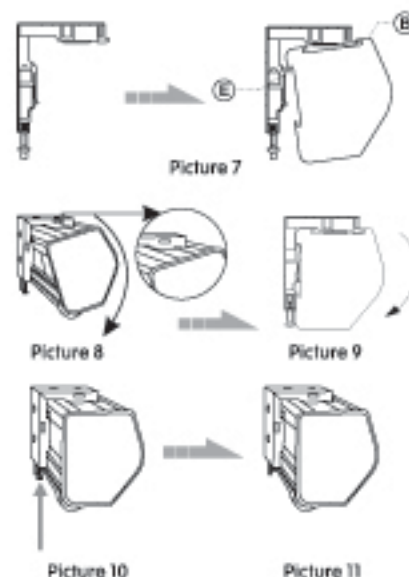
To ensure your safety, please read "Product Manual and Warnings"

- The ceiling or wall used for fixture installation must be secure to prevent the screens from falling.
- Please read the following as any damage to the screen surface will affect the quality of the picture:
 1. Avoid contact or touching the screen surface as it may cause scratches or tears.
 2. Do not write or draw on the surface
 3. Clean the screen with a soft cloth and lukewarm water. Do not use any detergent or cleaning products.
- Roll up the screen after every use.
- Ensure that the screen is level when installing; do not pull on the sides or fold the screen.
- To prevent unnecessary damage, the operating and maintenance of the screen should be done by adults.

Product Features

- **Trendy and Elegant Color Selection**
The aluminum alloy casing is simple and the trendy design comes in a variety of colors.
- **Resolution**
Originated in the U.S.A., the matte white and glass-beaded material provide different brightness and viewing ranges, flexible to suit every setting. The matte white allows a wider view range and soft colors, while the glass-beaded gives a brighter image with a higher resolution and contrast.
- **Smooth Surface**
Grandview's screens are made with American fiberglass materials, allowing only a 1% contraction, compared to a contraction of 33% on other screens. This allows the fiberglass screens to remain smooth, hold their shape, and last longer.
- **Location**
It is suited for various venues such as education facilities, home theatres, boardrooms, or other entertainment sites.

4. When mounting the screen, have side B turned upwards so that E will easily fit into the bracket groove 9 (figure 7). Push the casing into the bracket and you will hear a click. Ensure that casing fits and is secure inside the brackets. (figure 8-9)



Instructions

1. Pull the screen handle down and ensure it locks in position.
2. When retracting the screen, simply pull down screen slightly to release pull down the screen handle slightly to release. Guide the screen up with the handle, and release when the screen is fully retracted.








Picture 1



Picture 2

Warnings

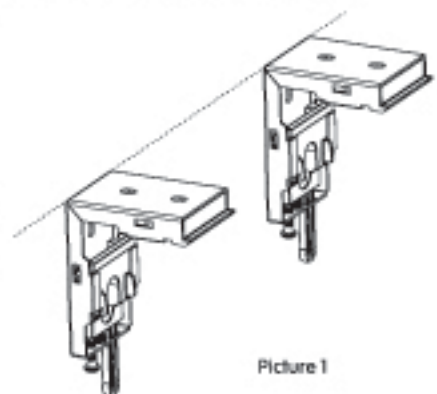
	Ignoring the safety warnings may lead to injuries and/or damaging the product.		Fixtures should be installed in a secure place to avoid accidents or the screen falling.
	Roll up the screen after every use. Leaving it hanging for a long period of time may cause the fabric to loosen.		Please contact your local dealer for repairs or maintenance. Please contact our company if you have any further questions. Avoid taking apart the fixtures yourself. Loose parts may cause the screen to fall.
	Refrain from hanging anything on the screen as it may cause the screen to fall.		

Do not take apart and replace with unknown parts. If there are any problems, please contact your local dealer. Product specifications are subject to change.

Installation

This projection screen should be installed at the best possible viewing position for the audience. Take out all the parts from the packaging and follow the accessories guideline to ensure you have all parts.

1. The parts needed will vary depending on which installation you choose to use. For installation on a wood wall or ceiling. Use the 5 x 60 screws. For installation on a drywall, use the 5 x 40 screws with anchors.
2. Following the instructions below, mount the brackets either on the wall or the ceiling. Make sure the brackets are level. The design of the Cyber Series screens allows the casing to be able to slide after installation (figure 1).



Picture 1

Installation Steps

- a) Wood wall and ceiling installation: Drill in the 5 x 60 screws through the appropriate holes in the bracket (figure 2-3).
- b) Drywall and ceiling installation: Install the anchors and drill in the 5 x 40 screws the appropriate holes in the bracket (figure 4-5).

Wood wall installation

Wood ceiling installation

Concrete wall installation

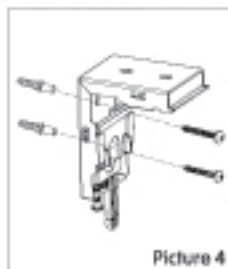
Concrete ceiling installation



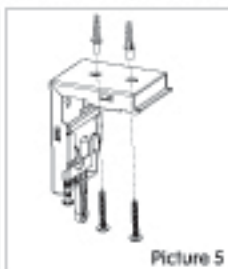
Picture 2



Picture 3

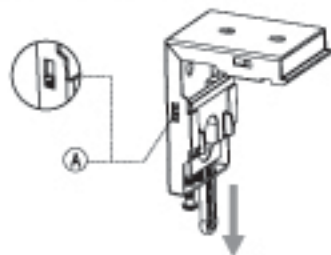


Picture 4



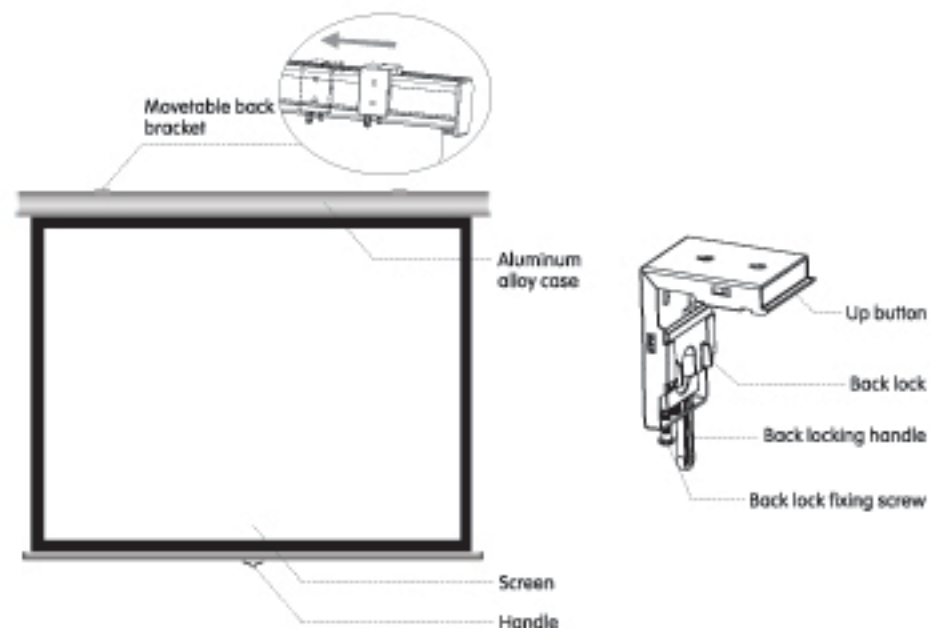
Picture 5

3. Pull down the notch at the bottom of each bracket until it clicks (figure 6).



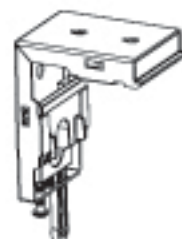
Picture 6

Description



Accessories

- Movable back bracket (2 sets)



- # 5 x 40mm Screw (4)



- # 5 x 60mm Screw (4)



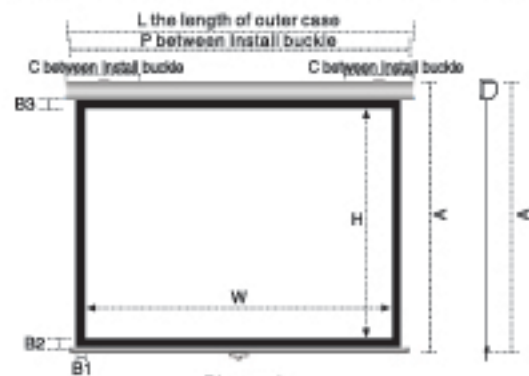
- Installation Manual

- Warranty Card

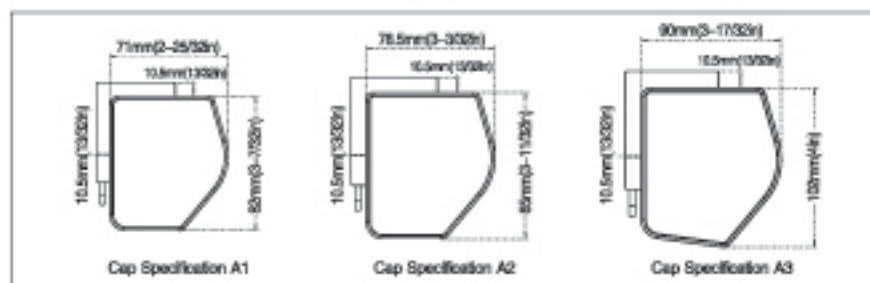
SPECIFICATIONS

Formal	16:9		
Specification(in)	77	92	106
Matte White Gain	1.0	1.0	1.0
Glass Beaded Gain	2.8	2.8	2.8
Cap Specification	A1	A2	A3
Viewing Area WxH	mm 1704x958	2030x1145	2340x1320
	in 67 x 38	80 x 45	92 x 52
L total length	mm 1824	2189	2512
A size	mm 1867	1862	1846
P size	mm 1814	2189	2504
C size	mm 300	400	400
B1 size	mm 30	50	47
B2 size	mm 30	40	40
B3 size	mm 797	557	362
Packaging LxWxH	mm 1967x137x150	2297x144x153	2603x144x153
Net Weight (kg) Matte White/Glass Beaded	6.6/7.5	7.5/8.5	8.6/9.7

Sizes and specifications are subject to change at anytime. [The tolerance for L, P is about $\pm 3\text{mm}$ (1/8in)]



Picture 1



Picture 2